

6 to 50GHz Directional Coupler

P/N: ZSDC-60500-10K

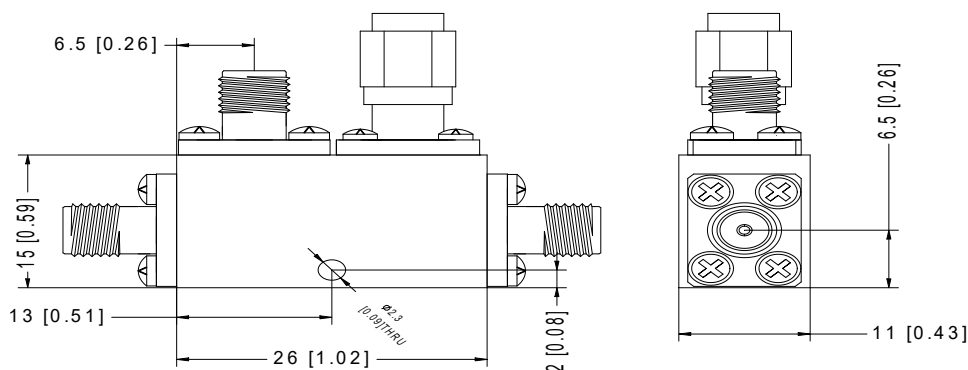
Features:

- High Power
- High Isolation
- Low Insertion Loss
- Ultra-wideband Operation

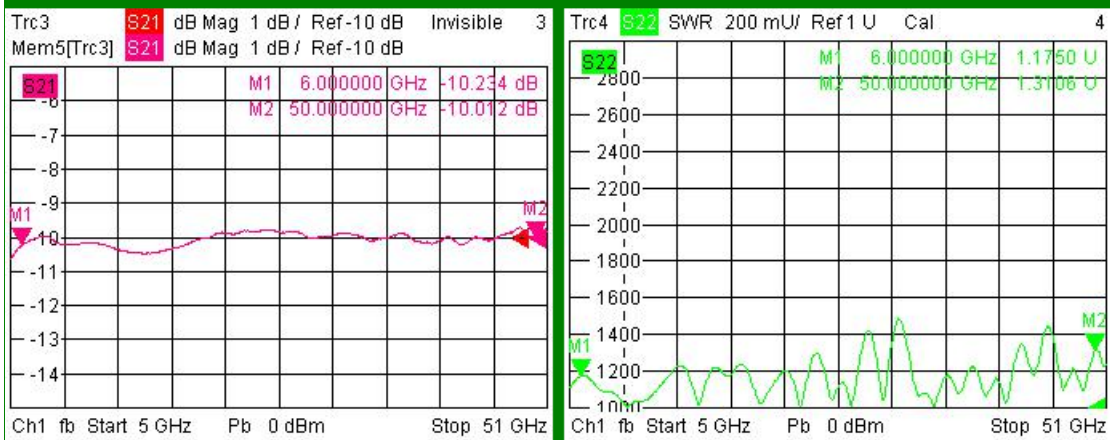
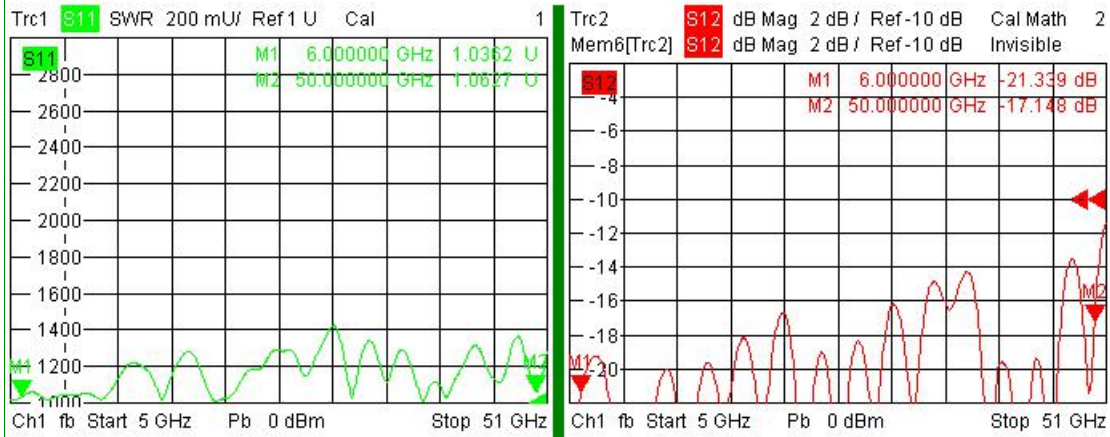


Specifications	
Frequency Range	6.0 – 50GHz
Coupling	10±1.0
Flatness	±1.0dB
Insertion Loss	1.8dB max
VSWR	1.9 max
Directivity	10dB Min.
Power Handling	30W
Connector	2.4mm-Female
Impedance	50ohm
Operating Temperature	-40°C ~ +85°C
RoHS Compliance	Yes

Drawing:mm[inch]



Test Curve:



Trc3 **S21** dB Mag 1 dB / Ref 0 dB Cal 3 (Max)

